

# stainless steel membrane industrial housings

## 8-inch side entry



**Figure 1: stainless steel industrial membrane housings**

SUEZ combines our rugged design of stainless steel membrane element housings with 30+ years of history in the applications of RO/NF/UF machine assembly.

### why stainless steel?

- No seals involved in side port connections
- Unlike fiberglass, doesn't warp or weep
- Is not affected by UV rays or sunlight
- Stainless steel is a preferred and universally accepted material for water systems
- Can withstand high temperatures, up to 200°F (93.3 °C)
- Capable of supporting process piping
- During assembly, stainless housings are lighter, and easier to handle than PVC, and FRP housings with equivalent pressure ratings

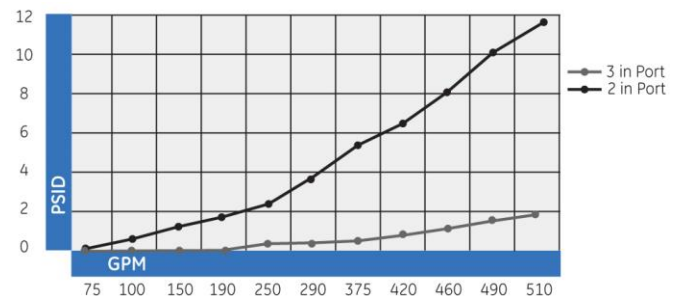
**Table 1: options available**

item	description
Grade	316L Stainless Steel
Side Ports	2", 3" and 4" port Multi-port; (4 port standard)
Exterior Finishes	Original steel mill finish (standard) Painted with acrylic polyurethane paint in most colors (i.e., bright aluminum) Electro-polished for a glossy, shiny, metallic look
Design Options	Low Energy, (LE) made with Noryl <sup>1</sup> end caps (300 & 450 psi) High pressure made with 316 stainless steel end caps (600 psi) Sanitary made with polished 316 stainless steel end caps

<sup>1</sup>Noryl is a trademark of SABIC

**Table 2: materials of construction**

item	material
End Cap	316 SS or Noryl
Retaining Ring	302 SS
Support Straps	304 SS
Mounting Pads	Rubber
O-ring	Buna-N
Housing Body	316/316L SS
Permeate Plug	Nylon
Cap Screws	18-8 SS



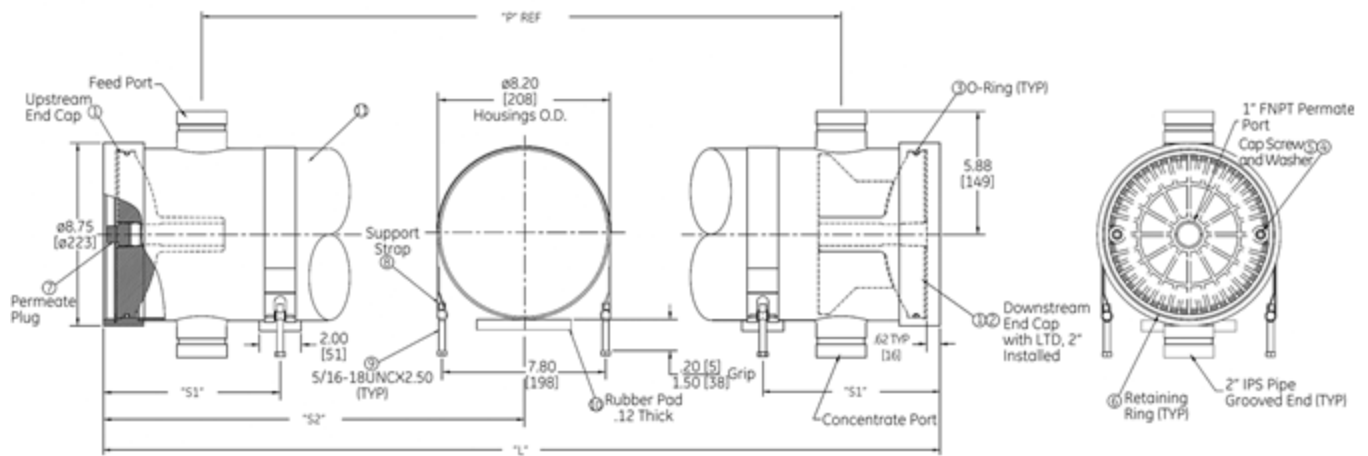
Note: end cap adapters available for all major membrane element manufacturers

**Figure 2: housing pressure drop**

Find a contact near you by visiting [www.suezwatertechnologies.com](http://www.suezwatertechnologies.com) and clicking on "Contact Us."

\*Trademark of SUEZ; may be registered in one or more countries.

©2017 SUEZ. All rights reserved.



Standard housing packages are available in 804P-300 (300 psi), 804P-450 (450 psi), 804P-600 (600 psi), and customized. The standard packages include: Housing body, end caps, load transfer device, closure devices, mounting saddles and straps.

**Figure 3: Stainless Steel Membrane Housings drawing**

**Table 3: Housing Lengths**

Part Number 316SS	Element Lengths (# of Elements)	L Length inch (mm)	P Port to Port inch (mm)	2 Supports S1 Recommended inch (mm)	3 Supports S2 Recommended inch (mm)	Approximate Empty Weight lbs (kg)
1266143	1 – 8 x 40	52.1 (1323)	42.7 (1085)	12.0 (305)	NA	75 (34)
1230411	2 – 8 x 40	92.1 (2339)	82.2 (2103)	15.0 (381)	NA	106 (48)
1230412	3 – 8 x 40	132.2 (3358)	122.8 (3119)	23.0 (584)	NA	138 (62)
1230413	4 – 8 x 40	172.2 (4374)	162.9 (4138)	31.0 (787)	NA	169 (76)
1230414	5 – 8 x 40	212.3 (5392)	202.9 (5154)	28.0 (711)	106.2 (2697)	210 (91)
1230415	6 – 8 x 40	252.3 (6408)	243.0 (6172)	34.0 (864)	126.2 (3205)	232 (105)

"S1" and "S2" dimensions are the recommended housing support locations measured from each end of the housing. If there is no "S2" dimension, then no middle support is required (i.e., use the two end supports only).

**Table 4: Specifications**

Specifications	804P – 300	804P – 450	804P – 600
Material	316 SS	316 SS	316 SS
Design	300 psi	450 psi	600 psi
40" Closure Kits	Noryl	Noryl and 316 SS	316 SS
Tested at	3 times design pressure	3 times design pressure	2.85 times design pressure
Tested Cycles	100,000 cycles at design pressure	100,000 cycles at design pressure	100,000 cycles at design pressure
Operating Temperature Mix	105°F (40.6°C)	105°F (40.6°C)	200°F (93°C)
Element Capacity	1 – 6 long	1 – 6 long	1 – 6 long

