

# *Falls Filtration Technologies, Inc.*

*Teamwork in Filtration Solutions*

## ***BREATHERS***





## BREATHERS

# The Most Complete Line of Breather Filters, In Stock

1/8" thru 2" MPT connection sizes  
1 to 80 CFM flow ratings



## Why you need a Falls Filtration Breather:

Breathers are used wherever there is a vented enclosure. The installation of a Falls Filtration Breather Filter in the air vent prevents dirt and other foreign matter from entering the enclosure. Most Falls Filtration Breathers are available with weatherhoods for outdoor applications. When used on gearboxes or differential housings, the Falls Filtration Breather prevents oil loss by retaining oil droplets and draining the oil back to the sump.

Falls Filtration Breather filters can help you assure system cleanliness. Whatever your requirements, Falls Filtration has the solution with its complete line of low-restriction, efficient and economical Breather Filters.

### Breather Types:

- Miniature MB Style
- Low Profile LL style
- Disc Type W style
- Lampshade type LB style
- Basic type OH STYLE
- Hooded Metal type HS style
- Hooded Plastic type HP style

## Features of the Falls Filtration Breather Filters:

- Choice of media — you select the optimum media for your particular application for long life, low restriction and high efficiency.
- Choice of models — disposable, cleanable or replaceable-element models are available. You can select the most economical model for you operating conditions and maintenance schedules.
- Weatherhooded models are available for outdoor applications.
- Low profile designs allow maximum filtration area within minimal space.
- High-capacity models assure system cleanliness under high contaminant loading conditions.

MODEL	CONNECTION SIZE	MAXIMUM FLOW (CFM)	MEDIA TYPES				DISPOSE-ABLE	CLEAN-ABLE	REPLACE-ABLE ELEMENT
			POLYESTER	KNITTED MESH	METAL SCREEN	PLEATED PAPER			
MB	1/8" - 1/2" MPT	10	•	•			•		
LL	1/8" - 3/4" MPT	15	•	•			•		
W	3/4" - 3 1/2" Dia.	60			•			•	
LB	1/8" - 3/4" MPT	20	•		•	•	•		
DH	1/8" - 3/4" MPT	25	•		•	•	•		
HS	1/2" - 1 1/2" MPT	35	•		•	•		•	•
HP	3/4" - 2" MPT	80	•		•	•		•	•

## BREATHERS

Falls Filtration Breather Filters are designed for use on the following typical applications:

- Gear boxes
- Hydraulic Reservoirs
- Transmissions
- Crankcases
- Fuel oil tank vents
- Day Tanks
- Differential Housings
- Small Compressor Air Intakes
- Oil Storage Tanks
- Machinery Housings

## Which Media to Select:

### Polyester

- Most economical media
- Synthetic and disposable with very good efficiency
- For temperatures up to 300° F.

### Knitted Mesh

- Galvanized steel wire, knitted into a pad
- Good efficiency with low restriction
- Used in oily environments and/or high temperature conditions
- Can be cleaned for re-use

### Metal Screen

- Galvanized woven steel wire†, crimped and layered into a cylindrical element
- Very low restriction
- The metal screen not only contains airborne contaminants, but also helps to prevent oil loss due to splash over
- Can be cleaned for re-use

### Pleated Paper

- This cellulosic resin-impregnated media provides the highest degree of filtration of extremely fine dirt
- Temperature range: -65° to 250° F.
- Can be cleaned for re-use
- 99.4% efficient on A.C. fine dust



## How to Order\*:

BREATHER TYPE		LB	GK	DM	MEDIA TYPE	
MB	MINI BREATHER					
LL	LOW PROFILE			PM	POLYESTER MEDIA	
<b>LB</b>	<b>LAMP SHADE</b>			<b>DM</b>	<b>PLEATED PAPER</b>	
OH	BASIC BREATHER					
HS	METAL BREATHER					
HP	PLASTIC BREATHER					

BASE CONNECTION – MPT								
GH	GG	GF	GC	GB	GA	GJ	<b>GK</b>	GL
1/8	1/4	3/8	1/2	3/4	1	1 1/4	<b>1 1/2</b>	2

\*Not applicable to W-Style Disc Breathers.

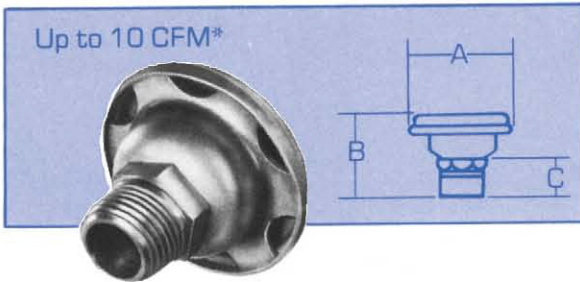
†W Style Disc Breathers use brass or bronze screen.



## BREATHERS

### MB STYLE MINI BREATHERS

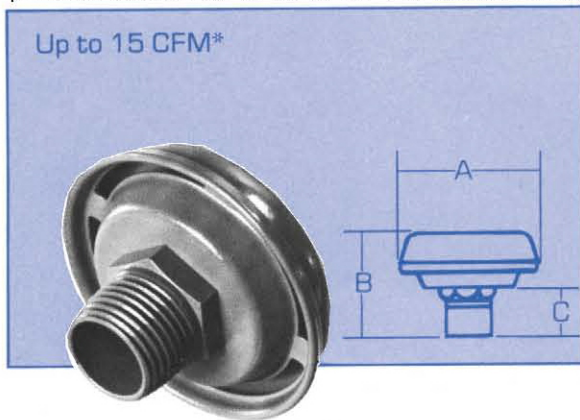
One of our smallest, most economical breathers. All galvanized steel construction, including weatherhood. Disposable. Available in 1/8" to 1/2" MPT connection sizes.



PART NUMBER	THREAD	DIMENSIONS (INCHES)			APPROX. SHIP. WT. (LBS)	MEDIA
		A	B	C		
MBGH	1/8	1.69	1.44	.75	1/4	KNITTED MESH
MBGG	1/4	1.69	1.44	.75	1/4	KNITTED MESH
MBGF	3/8	1.69	1.44	.75	1/4	KNITTED MESH
MBGC	1/2	1.69	1.63	.95	1/4	KNITTED MESH
MBGHPM	1/8	1.69	1.44	.75	1/4	POLYESTER
MBGGPM	1/4	1.69	1.44	.75	1/4	POLYESTER
MBGFPM	3/8	1.69	1.44	.75	1/4	POLYESTER
MBGCPM	1/2	1.69	1.63	.95	1/4	POLYESTER

### LL STYLE LOW PROFILE BREATHERS

More media and longer life than the MB style, but still a small package size. All-steel housing and weatherhood, with baked grey enamel finish. Disposable. Available in 1/8" to 3/4" MPT connection sizes.

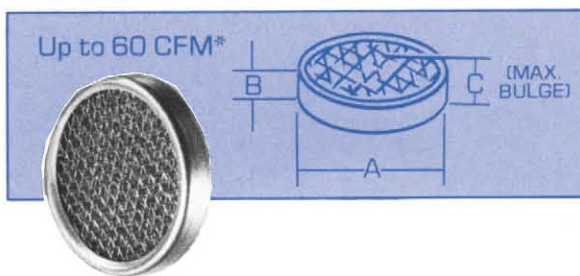


PART NUMBER	THREAD	DIMENSIONS (INCHES)			APPROX. SHIP. WT. (LBS)	MEDIA
		A	B	C		
LLGH	1/8	2.28	1.41	.75	1/4	KNITTED MESH
LLGG	1/4	2.28	1.41	.75	1/4	KNITTED MESH
LLGF	3/8	2.28	1.41	.75	1/4	KNITTED MESH
LLGC	1/2	2.28	1.61	.95	1/4	KNITTED MESH
LLGB	3/4	2.28	1.61	.95	1/4	KNITTED MESH
LLGHPM	1/8	2.28	1.41	.75	1/4	POLYESTER
LLGGPM	1/4	2.28	1.41	.75	1/4	POLYESTER
LLGFPM	3/8	2.28	1.41	.75	1/4	POLYESTER
200916†	3/8	1.91	1.68	.69	1/8	POLYESTER
LLGCPM	1/2	2.28	1.61	.95	1/4	POLYESTER
LLGBPM	3/4	2.28	1.61	.95	1/4	POLYESTER

† ALL PLASTIC HOUSING (DELFIN)

### W STYLE DISC BREATHERS

Brass/bronze construction for corrosion resistance. An economical breather, designed to press-fit into a number of system applications. Available in 3/4" to 3 1/2" diameters.



PART NUMBER	DIMENSIONS (INCHES)			APPROX. SHIP. WT. (LBS)	MEDIA
	A	B	C		
WGB	.740	.250	.312	1/8	METAL SCREEN
WFB	1.000	.250	.312	1/8	METAL SCREEN
WBB	1.000	.312	.375	1/8	METAL SCREEN
WCB	1.375	.312	.375	1/8	METAL SCREEN
WAB	1.625	.438	.562	1/8	METAL SCREEN
WHB	2.250	.312	.375	1/8	METAL SCREEN
WDB	3.500	.312	.375	1/4	METAL SCREEN

\*Flow ratings at 5.0 in. W. G., clean, with largest base connection. For other flow ratings, see the Restriction vs. Flow chart, or call us for technical assistance.

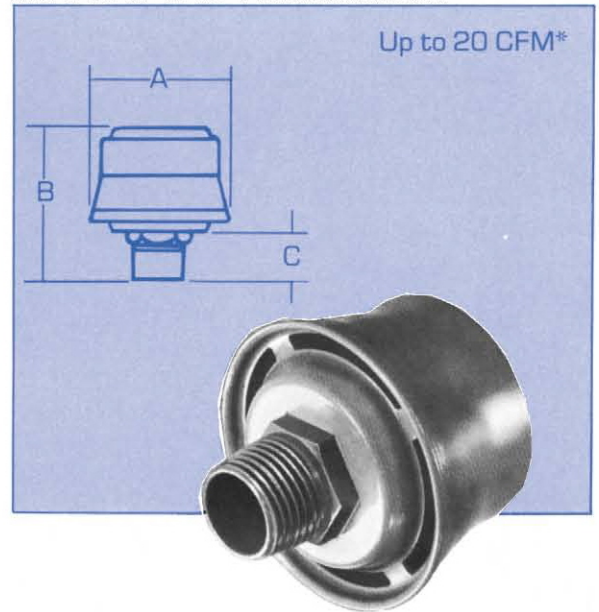


## BREATHERS

PART NUMBER	THREAD	DIMENSIONS (INCHES)			APPROX. SHIP. WT. (LBS)	MEDIA
		A	B	C		
LBGH	1/8	2.28	2.38	.75	1/2	METAL SCREEN
LBGG	1/4	2.28	2.38	.75	1/2	METAL SCREEN
LBGF	3/8	2.28	2.38	.75	1/2	METAL SCREEN
LBGC	1/2	2.28	2.58	.95	1/2	METAL SCREEN
LBGB	3/4	2.28	2.58	.95	1/2	METAL SCREEN
LBGHPM	1/8	2.28	2.38	.75	1/2	POLYESTER
LBGGPM	1/4	2.28	2.38	.75	1/2	POLYESTER
LBGFPM	3/8	2.28	2.38	.75	1/2	POLYESTER
LBGCPM	1/2	2.28	2.58	.95	1/2	POLYESTER
LBGBPM	3/4	2.28	2.58	.95	1/2	POLYESTER
LBGHDM	1/8	2.28	2.38	.75	1/2	PLEATED PAPER
LBGGDM	1/4	2.28	2.38	.75	1/2	PLEATED PAPER
LBGFDM	3/8	2.28	2.38	.75	1/2	PLEATED PAPER
LBGCDM	1/2	2.28	2.58	.95	1/2	PLEATED PAPER
LBGBDM	3/4	2.28	2.58	.95	1/2	PLEATED PAPER

### LB STYLE LAMP SHADE BREATHERS

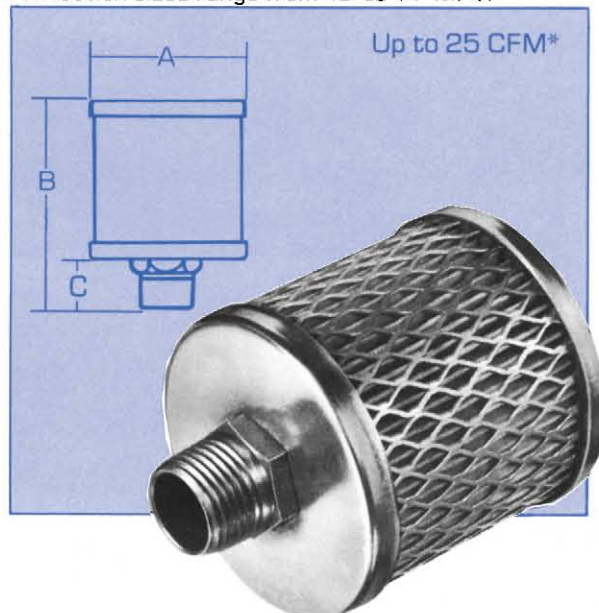
Three media types are offered for more design flexibility, with more media providing longer life than the MB or LL style breathers. All-steel housing and weatherhood with baked grey enamel finish. Available in 1/8" to 3/4" MPT connection sizes.



PART NUMBER	THREAD	DIMENSIONS (INCHES)			APPROX. SHIP. WT. (LBS)	MEDIA
		A	B	C		
OHGH	1/8	2.56	3.31	.75	1/2	METAL SCREEN
OHGG	1/4	2.56	3.31	.75	1/2	METAL SCREEN
OHGF	3/8	2.56	3.31	.75	1/2	METAL SCREEN
OHGC	1/2	2.56	3.51	.95	1/2	METAL SCREEN
OHGB	3/4	2.56	3.51	.95	1/2	METAL SCREEN
OHGHPM	1/8	2.56	3.31	.75	1/2	POLYESTER
OHGGPM	1/4	2.56	3.31	.75	1/2	POLYESTER
OHGFPM	3/8	2.56	3.31	.75	1/2	POLYESTER
OHGCPM	1/2	2.56	3.51	.95	1/2	POLYESTER
OHGBPM	3/4	2.56	3.51	.95	1/2	POLYESTER
OHGHDM	1/8	2.56	3.31	.75	1/2	PLEATED PAPER
OHGGDM	1/4	2.56	3.31	.75	1/2	PLEATED PAPER
OHGFDM	3/8	2.56	3.31	.75	1/2	PLEATED PAPER
OHGCDM	1/2	2.56	3.51	.95	1/2	PLEATED PAPER
OHGBDM	3/4	2.56	3.51	.95	1/2	PLEATED PAPER

### OH STYLE BASIC BREATHERS

An economical long-life breather that can be disposed after use. Available in three media types. Large enough for small engine or compressor air intake filtration. All galvanized steel housing. Base connection sizes range from 1/8" to 3/4" MPT.



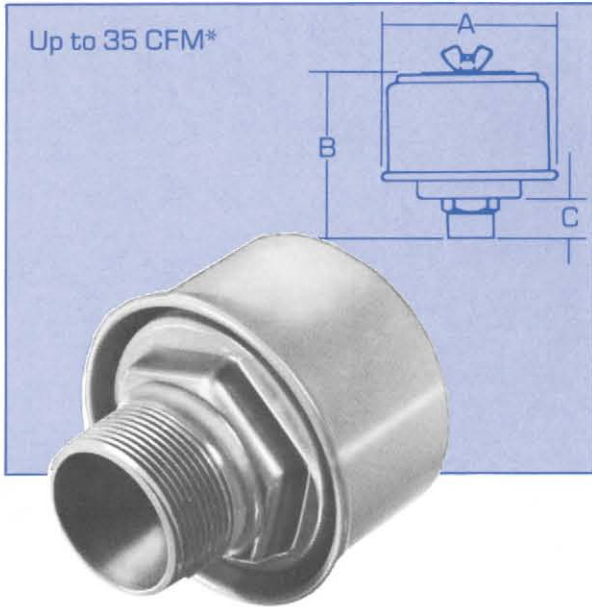
\*Flow ratings at 5.0 in. W. G., clean, with largest base connection. For other flow ratings, see the Restriction vs. Flow chart, or call us for technical assistance.



## BREATHERS

### HS STYLE METAL BREATHERS

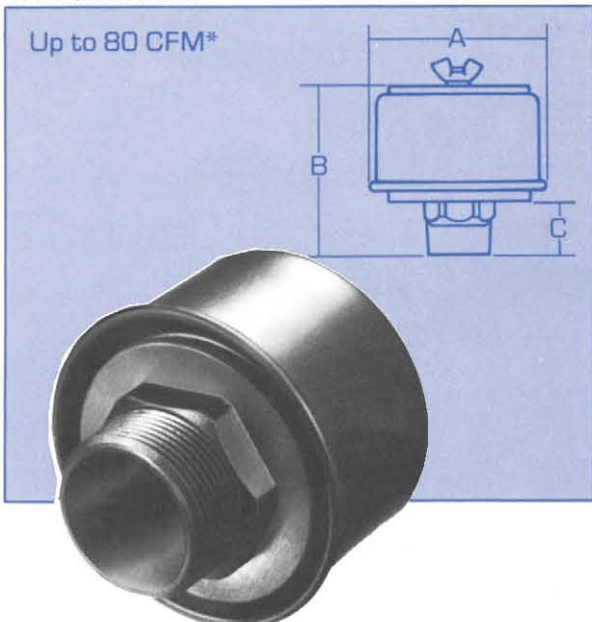
Features high-capacity replaceable elements in three media types. Inexpensive elements are easily changed without tools. The base has oil drain-back holes to control splash-over. The all-steel housing and weatherhood have a baked grey enamel finish. Available in 1/2" to 1 1/2" MPT connection sizes.



PART NUMBER	THREAD	DIMENSIONS (INCHES)			APPROX. SHIP. WT. (LBS)	MEDIA
		A	B	C		
HSGC	1/2	3.75	3.63	.95	1 1/4	METAL SCREEN
H BGB	3/4	3.75	3.63	.95	1 1/4	METAL SCREEN
HSGA	1	3.75	3.89	1.21	1 1/4	METAL SCREEN
HSGJ	1 1/4	3.75	3.94	1.25	1 1/4	METAL SCREEN
HSGK	1 1/2	3.75	3.94	1.25	1 1/4	METAL SCREEN
HSGCPM	1/2	3.75	3.63	.95	1 1/4	POLYESTER
H BGBPM	3/4	3.75	3.63	.95	1 1/4	POLYESTER
HSGAPM	1	3.75	3.89	1.21	1 1/4	POLYESTER
HSGJPM	1 1/4	3.75	3.94	1.25	1 1/4	POLYESTER
HSGKPM	1 1/2	3.75	3.94	1.25	1 1/4	POLYESTER
HSGCDM	1/2	3.75	3.63	.95	1 1/4	PLEATED PAPER
H BGBDM	3/4	3.75	3.63	.95	1 1/4	PLEATED PAPER
HSGADM	1	3.75	3.89	1.21	1 1/4	PLEATED PAPER
HSGJDM	1 1/4	3.75	3.94	1.25	1 1/4	PLEATED PAPER
HSGKDM	1 1/2	3.75	3.94	1.25	1 1/4	PLEATED PAPER

### HP STYLE PLASTIC BREATHERS

The same elements and performance as the HS style, but with an inexpensive Rynite glass-reinforced plastic base construction. Has steel weatherhood with black enamel finish. Available in 3/4" to 2" MPT connection sizes.



PART NUMBER	THREAD	DIMENSIONS (INCHES)			APPROX. SHIP. WT. (LBS)	MEDIA
		A	B	C		
HPGB	3/4	3.75	3.50	1.00	1	METAL SCREEN
HPGA	1	3.75	3.62	1.12	1	METAL SCREEN
HPGJ	1 1/4	3.75	3.69	1.19	1	METAL SCREEN
HPGK	1 1/2	3.75	3.69	1.19	1	METAL SCREEN
HPGL	2	3.75	3.75	1.25	1	METAL SCREEN
HPGBPM	3/4	3.75	3.50	1.00	1	POLYESTER
HPGAPM	1	3.75	3.62	1.12	1	POLYESTER
HPGJPM	1 1/4	3.75	3.69	1.19	1	POLYESTER
HPGKPM	1 1/2	3.75	3.69	1.19	1	POLYESTER
HPGLPM	2	3.75	3.75	1.25	1	POLYESTER
HPGBDM	3/4	3.75	3.50	1.00	1	PLEATED PAPER
HPGADM	1	3.75	3.62	1.12	1	PLEATED PAPER
HPGJDM	1 1/4	3.75	3.69	1.19	1	PLEATED PAPER
HPGKDM	1 1/2	3.75	3.69	1.19	1	PLEATED PAPER
HPGLDM	2	3.75	3.75	1.25	1	PLEATED PAPER

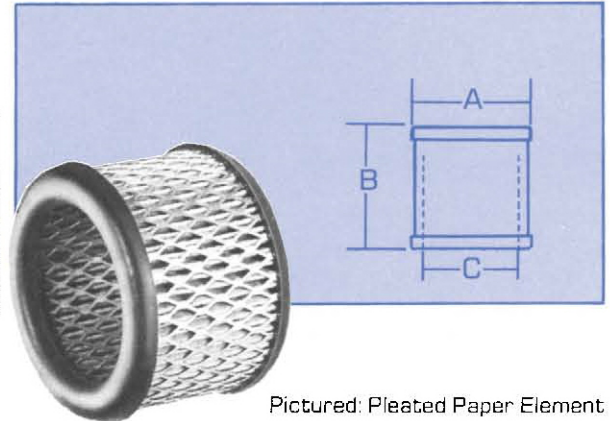
\*Flow ratings at 5.0 in. W. G., clean, with largest base connection. For other flow ratings, see the Restriction vs. Flow chart, or call us for technical assistance.



## BREATHERS

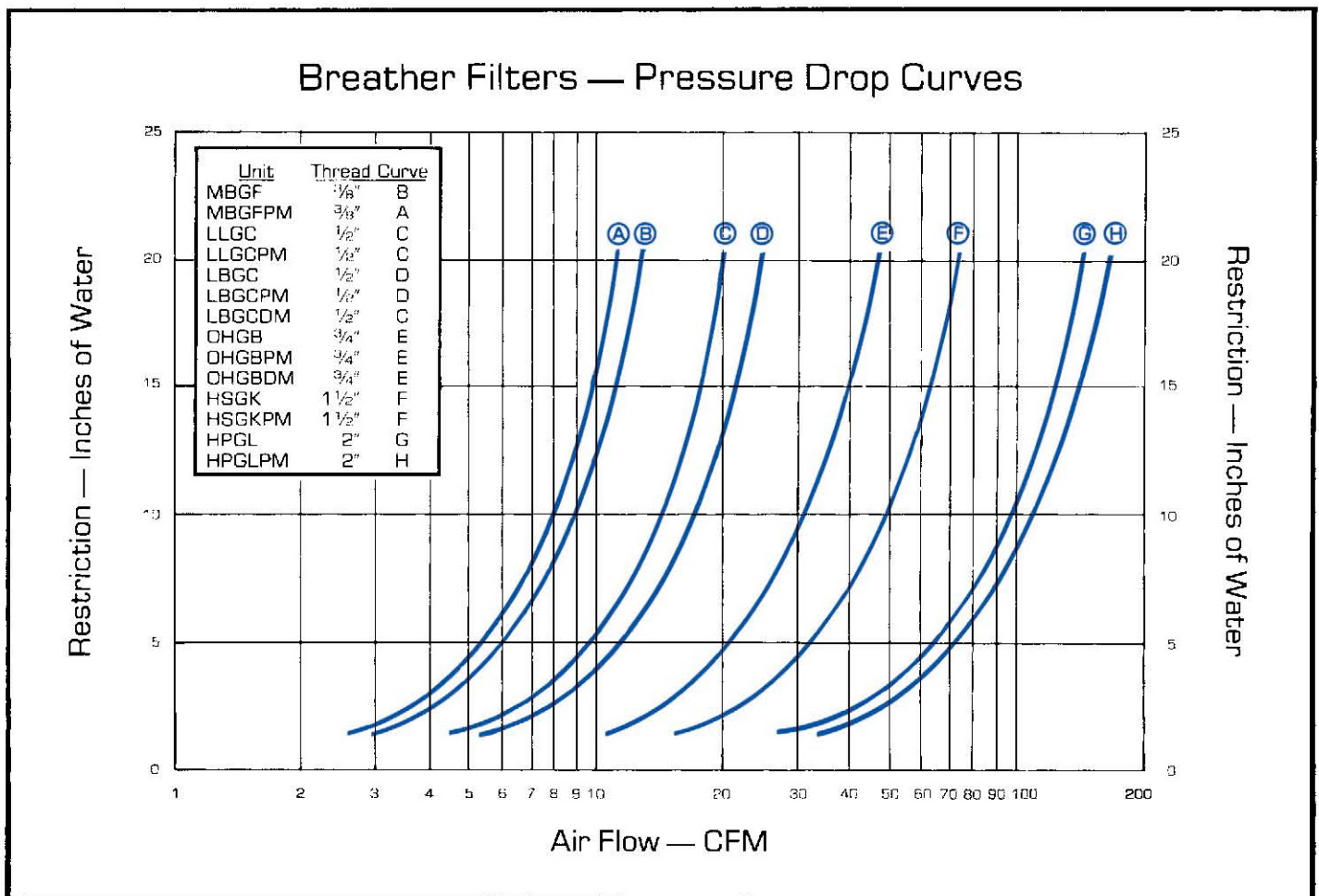
### REPLACEMENT ELEMENTS FOR HS & HP SERIES UNITS

PART NUMBER	A	B	C	APPROX. SHIP. WT. (LBS)	MEDIA
BOH-07	3.00	2.12	2.38	1/4	METAL SCREEN
BOHPM-07	3.00	2.12	2.38	1/4	POLYESTER
BOHDM-07	3.00	2.12	1.94	1/4	PLEATED PAPER



Pictured: Pleated Paper Element

### Restriction vs. Flow



### Technical Assistance

Additional information is only a phone call away. Our customer Service Department can assist you on those special applications that require nonstandard materials, sizes or connection fittings.

In addition, our District Sales manager in your area can call on your facility to review your specific requirements. For technical assistance, please call (330) 928-4100.



## Call Falls Filtration Technologies for your Filtration Needs



- Hydraulic Filters
- Unimaze Filters
- Special Purpose Filters
- Air Filter Silencers
- Oil Bath Filters
- Panel Filters
- Fuel Filters
- Lube Filters
- Automatic Filters
- Oil Wetted Filters
- Dry Type Filters
- Air/Oil Separators

(ISO 9001:2000 & AS9100 Certificate)

**Falls**  
**Fil**  
**tra**  
**tion**  
**Technologies, Inc.**

***Teamwork in Filtration Solutions***

115 East Steels Corners Road  
Stow, OH 44224  
330.928.4100  
[www.fallsfti.com](http://www.fallsfti.com)

Falls Filtration Technologies reserves the right to change any model or specification at any time without notice.

Delrin and Rynite are registered trademarks of DuPont Corporation.