

FAS and FAC Series

Single Cartridge Filter Housings with Bolt & Nut Closure for Air & Gases



- Designed for industrial and commercial filter applications
- Heavy duty construction for maximum durability
- Various materials of construction for wide range of process requirements
 - 304L or 316L stainless steel
 - Brass nickel plated head with 304L SS body
 - Cast Iron Head with a steel body
- Accepts Double Open-End (DOE) cartridges
- Available with 1/4", 3/8", 1/2", 3/4", and 1" connections.
- Numerous gasket options for compatibility with most fluids
- Bolt-nut-closure design for quick cartridge change outs (T-handle optional)
- In line connections for easy installation
- Knife edge seals at both end of cartridge housing eliminate potential bypass.

Applications

Water	Desalination
Chemicals	Food & Beverage
Electronics	Oil / Gas
Air	Inks / Paints / Coatings
Gases	Pulp & Paper

Specifications & Operating Parameters

Maximum Operating Pressure

250 psig (17 bar) @ 275°F (135°C)

125 psig (8.6 bar) @ 200°F (93.3°C): FAC-15 Series

Connections

Inlet/Outlet: 1/2", 3/4" or 1" FNPT

1/4" and 3/8" only available for FAC Series

Optional: RF Flanges, Sanitary Ferrules, BSP

Drain Port: 1/8" NPT (1/4" for FO-38 models)

Gaskets

Buna

Optional: EPR, Silicone, Viton, Teflon, Neoprene, Vellumoid

Materials of Construction

Head / Shell: FAS - 304L or 316L Stainless Steel

FAC - Cast iron head / carbon steel

Drain: FAS - Stainless Steel Plug

FAC - Brass Petcock

Options

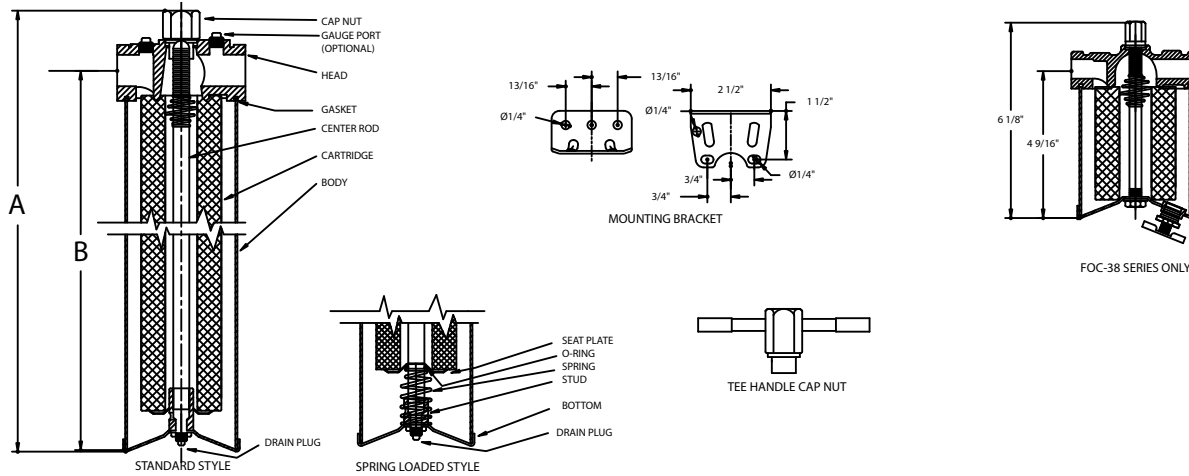
- Vent Port with Vent Screw
- Gauge Ports
- Bracket Kit
- Variable Spring Load Seal
- Tee Handle

See Ordering Guide for complete selection of options

MODEL	QUANTITY (LENGTH) OF CARTRIDGES	RATED FLOW CAPACITY SCFM	MAXIMUM DIAMETER CARTRIDGE	DRAIN SIZE	STANDARD	
					A	B
FA-15	1 (1 7/8")	15	2 3/4"	1/4"	7 11/16" (19.5)	5 3/4" (15.1)
FA-39	1 (4 7/8")	40	2 3/4"	1/8"	8 7/8" (22.5)	6 15/16" (17.6)
FA-78	1 (9 3/4")	80	2 3/4"	1/8"	13 3/4" (34.9)	11 13/16" (33.0)
FA-80	1 (20")	140	2 3/4"	1/8"	23 7/8" (60.6)	21 15/16" (55.7)
FA-90	1 (30")	220	2 3/4"	1/8"	33 7/8" (86.0)	31 15/16" (81.1)

* Based upon air with a 10 micron wound element 70°F, 2 psid @ 80 psi. Rated capacities are guide lines only, actual flow rates are based on cartridge type, micron ratings and other factors.

Dimensions



Ordering Guide (Example: FAS-786-316-TH-E)

FA	S	- 78	6	- 316	- TH	- E
MODEL	MATERIAL	CARTRIDGE LENGTH*	PIPE SIZE FNPT	OPTIONAL MATERIAL	OPTIONS	GASKET
FA	S = 304L Stainless Steel with stainless steel drain plug C = Cast iron head with steel sump and brass petcock drain	15 = 1 7/8" ** 39 = 4 7/8" 78 = 9 3/4" 80 = 20" 90 = 30"	2 = 1/4" 3 = 3/8" 4 = 1/2" 6 = 3/4" 8 = 1"	Blank = None 316 = 316L	Blank = None BSP = BSP threads 1F = 1" Flange+ 1TC = 1" Ferrules+ Vent = Vent Screw++ GP4 = 1/4" Gauge Ports++ BR = Bracket Kit TH = Tee Handle 10 = 10" Cartridge Length 195 = 19 1/2" Cartridge Length 294 = 29 1/4" Cartridge Length Vent = Vent Screw++	B = Buna N (Standard) E = EPR S = Silicone V = Viton T = Teflon N = Neoprene Vell = Vellumoid

* Available in 10", 19 1/2" and 29 1/4" length - see options in ordering guide

+ Available only in FOS stainless steel series

** Available only in FAC Series

++ When ordering vents or gauge ports, specify location : I = Inlet, O = Outlet, I/O = Inlet and Outlet. Example = GP4/I/O

Customization

Housings may be customized to meet your precise requirements. Contact Shelco's technical support staff or your distributor for more information.



Shelco Filters

100 Bradley Street
Middletown, CT 06457 USA

Tel: 800-543-5843 / Fax: 860-854-6120 / E-mail: info@shelco.com

MicroSentry™, MicroVantage™, Shelco Filters® and the Shelco logo are registered trademarks of the Tinny Corporation. Shelco Filters is a division of the Tinny Corporation.