

Shop Floor Filtration System Handles Up to 45 GPM Where You Need It When You Need It

Shop floor problem-solver cleans up machining coolant, oil, water, and many other industrial fluids



Ergonomic integral cover handle is easy to open and close without tools.

Rejuvenate your machine coolants and hydraulic oils anywhere in the shop with mobile filtration, at up to 45 gpm. The FloWash Industrial Filter Cart helps you save on replacement fluids as well as the associated disposal costs.

Open the inlet valve, turn on the air supply (30 psi) and filter the contaminated fluids. It's never been easier.



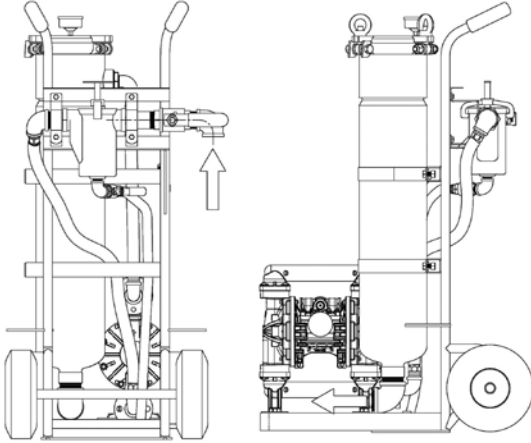
FloWash Industrial Filter Cart Components

- FLOWLINE II™ fabricated filter vessel features a unique one-piece body design with safe and reliable "no tools required" access for bag replacement. The FloWash Industrial Filter Cart is rated 125 psi and 150 °F.
- Filter vessel is available in carbon or stainless steel with elastomer seal options of Buna-N, EPDM, or Viton.
- Double diaphragm pump is powered by compressed air. No electric power needed.
- Eaton Model 30R Strainer with a 1/8" perforated basket pre-filters incoming contaminated fluids on the carbon steel model, and the Model 72 Strainer pre-filters fluids on the stainless steel version.
- The filter vessel includes 1-1/2" inlet and outlet hoses, extension wands, and pressure gauge.

EATON

Powering Business Worldwide

Eaton's FloWash Industrial Filter Cart
A flexible system that operates in-line or as a stand-alone portable filtration system. Safe to operate and easy to maintain.



FloWash Industrial Filter Cart Specifications

Dimensions: Approximately 25"W x 31"D x 49"H

Weight: Approximately 220 lbs empty, 278 lbs full (water)

Power: 30 psi shop air (20 to 125 psi operating range)

Model

F3F000002-B	Industrial Filter Cart, CST with Buna-N Elastomers
F3F000002-E	Industrial Filter Cart, CST with EPDM Elastomers
F3F000002-V	Industrial Filter Cart, CST with Viton Elastomers
F3F000003-B	Industrial Filter Cart, 316 SS with Buna-N Elastomers
F3F000003-E	Industrial Filter Cart, 316 SS with EPDM Elastomers
F3F000003-V	Industrial Filter Cart, 316 SS with Viton Elastomers

Filter Bags

FloWash Industrial Filter Cart uses size O2 filter bags. Many options are available to fit your specific need.



LOFCLEAR™
Oil removal and gels



HAYFLOW™
Up to 5 times the life of standard bags



DURAGAF™
Up to 3 times the life of standard bags



SENTINEL®
High-quality, durable performance



UNIBAG™
Efficiency with an economical advantage

North America – HQ

44 Apple Street
 Tinton Falls, NJ 07724
 Toll Free: 800 656-3344
 (North America only)
 Voice: +1 732 212-4700

China

No.7 Lane 280 Linhong Road
 Changning District
 Shanghai 200335, China
 Voice: +86 21 5200 0422

Singapore

4 Loyang Lane #04-01/02
 Singapore 508914
 Voice: +65 6825 1668

Europe/Africa/Middle East

Auf der Heide 2
 53947 Nettersheim, Germany
 Voice: +49 2486 809-0

Internormen Product Line
 Friedensstraße 41
 68804 Altussheim, Germany
 Voice: +49 6205 2094-0

Begerow Product Line
 An den Nahewiesen 24
 55450 Langenlonsheim, Germany
 Voice: +49 6704 204-0

Brazil

Av. Julia Gaioli, 474 – Bonsucesso
 07251-500 – Guarulhos, Brazil
 Voice: +55 11 2465 8822

For more information, please e-mail us at filtrationinfo@eaton.com

Visit us online at eaton.com/filtration for a complete list of Eaton's filtration products

©2013 Eaton Corporation. All Rights Reserved.
 All trademarks and registered trademarks are the property of their respective owners. Litho USA.

All information and recommendations appearing in this brochure concerning the use of products described herein are based on tests believed to be reliable. However, it is the user's responsibility to determine the suitability for his own use of such products. Since the actual use by others is beyond our control, no guarantee, expressed or implied, is made by Eaton as to the effects of such use or the results to be obtained. Eaton assumes no liability arising out of the use by others of such products. Nor is the information herein to be construed as absolutely complete, since additional information may be necessary or desirable when particular or exceptional conditions or circumstances exist or because of applicable laws or government regulations.



Powering Business Worldwide

