



NOVOX® CP

NOVOX® CPP-I / NOVOX® CPP-P / NOVOX® CPE-I / NOVOX® CPE-P

Stainless steel plate & frame filter system manufactured for heavy duty use 24/7

The NOVOX® CP is a high precision stainless steel plate & frame filter designed and built for industrial applications. Unique design of the NOVOX® CP with framed seals allows a CIP cleaning without sheets. High precision construction of the plate & frame assembly, and the hydraulic closing mechanism, combined with high-performance FILTROX filter sheets, contribute to significantly reduced drip-loss.

Applications

- Pharma
- Cosmetic
- Industrial
- Herbal extracts
- Critical solutions
- Raw materials
- ...

Features

- Efficient handling
- Manufactured for heavy duty use 24/7
- Precise construction
- Swiss quality
- Long lifetime
- Variable operation possibilities (alluvial filtration or sheet filtration)
- Minimized drip-loss
- Custom made production is possible

Technical data

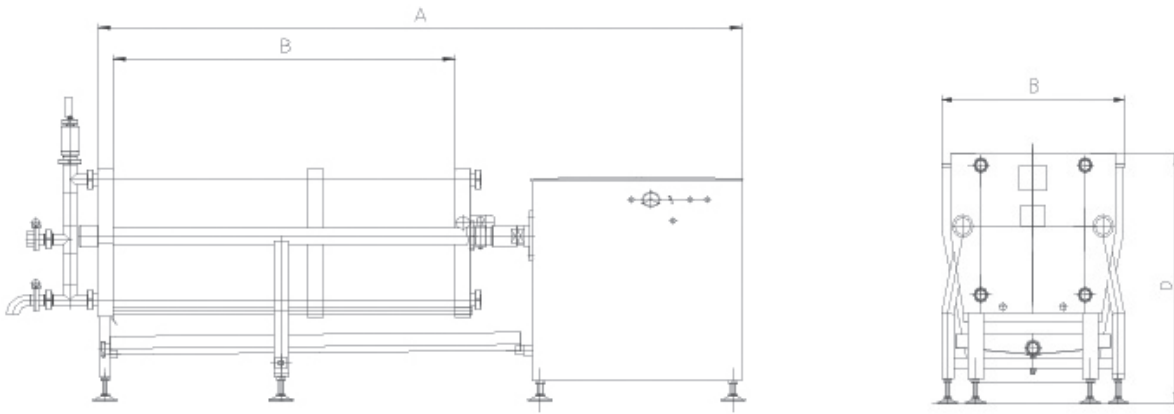
	NOVOX® 400 CPP-I or CPE-I	NOVOX® 600 CPP-I or CPE-I	NOVOX® 800 CPP-I or CPE-I	NOVOX® 600 CPP-P or CPE-P	NOVOX® 800 CPP-P or CPE-P	NOVOX® 1000 CPP-P or CPE-P	NOVOX® 1200 CPP-P or CPE-P
Filter area per sheet in m ²	0.12	0.33	0.596	0.28	0.44	0.74	1.02
Max. filter area per filter Version sheet filtration [m ²]	15.36	64.02	141.80	On request	On request	On request	On request
Max. filter area per filter Version cake filtration [m ²]	40 mm: 6.96	40 mm: 28.38	n.a.	20 mm: 24.4 30 mm: 20.1 40 mm: 17.5 50 mm: 15.4	20 mm: 77.4 30 mm: 66.0 40 mm: 57.2 50 mm: 51.0	20 mm: 127 30 mm: 106.6 40 mm: 91.8 50 mm: 51.0	20 mm: 197.9 30 mm: 171.4 40 mm: 151.0 50 mm: 134.6
Max. cake frame volume [L]	40 mm: 139	40 mm: 567	n.a.	20 mm: 244 30 mm: 302 40 mm: 350 50 mm: 384	20 mm: 774 30 mm: 990 40 mm: 1144 50 mm: 1276	20 mm: 1273 30 mm: 1589 40 mm: 1865 50 mm: 2072	20 mm: 1979 30 mm: 2570 40 mm: 3019 50 mm: 3366
Max. usable cake volume [L]	40 mm: 127	40 mm: 511	10 mm: 496.40	20 mm: 207 30 mm: 272 40 mm: 324 50 mm: 361	20 mm: 658 30 mm: 891 40 mm: 1058 50 mm: 1199	20 mm: 1018 30 mm: 1385 40 mm: 1678 50 mm: 1906	20 mm: 1682 30 mm: 2313 40 mm: 2793 50 mm: 3164
Max. operating pressure	8 bar	8 bar	8 bar	5 bar @ 15–50°C 2 bar @ 80°C	5 bar @ 15–50°C 2 bar @ 80°C	5 bar @ 15–50°C 2 bar @ 80°C	5 bar @ 15–50°C 2 bar @ 80°C
Max. operating temperature	135 °C	135 °C	135 °C	Depending on operating pressure	Depending on operating pressure	Depending on operating pressure	Depending on operating pressure
Connections (head and end plate)	DN 25	DN 50	DN 65	DN 50	DN 80	DN 80	DN 100

Filter configurations

	NOVOX® 400 CPP-I or CPE-I	NOVOX® 600 CPP-I or CPE-I	NOVOX® 800 CPP-I or CPE-I	NOVOX® 600 CPP-P or CPE-P	NOVOX® 800 CPP-P or CPE-P	NOVOX® 1000 CPP-P or CPE-P	NOVOX® 1200 CPP-P or CPE-P
Material filter plates	Stainless steel (316L)	Stainless steel (316L)	Stainless steel (316L)	PP or PVDF	PP or PVDF	PP or PVDF	PP or PVDF
Material cake frames	Stainless steel (316L)	Stainless steel (316L)	Stainless steel (316L)	PP or PVDF	PP or PVDF	PP or PVDF	PP or PVDF
Thickness filter plates	10 mm	10 mm	10 mm	25 mm	30 mm	30 mm	35 mm
Thickness cake frames	10 mm 25 mm 40 mm	25 mm 40 mm	10 mm	20 mm 25 mm 30 mm 35 mm 40 mm 50 mm	20 mm 25 mm 30 mm 35 mm 40 mm 50 mm	20 mm 25 mm 30 mm 35 mm 40 mm 50 mm	20 mm 25 mm 30 mm 35 mm 40 mm 50 mm
Gaskets	Silicone Viton	Silicone Viton	Silicone Viton	Silicone Viton	Silicone Viton	Silicone Viton	Silicone Viton
Standard connections	Triclamp (TC)	Triclamp (TC)	Triclamp (TC)	Triclamp (TC)	Triclamp (TC)	Triclamp (TC)	Triclamp (TC)
Connections (specials on request)	DIN 11851, Dairy or Flange	DIN 11851, Dairy or Flange	DIN 11851, Dairy or Flange	DIN 11851, Dairy or Flange	DIN 11851, Dairy or Flange	DIN 11851, Dairy or Flange	DIN 11851, Dairy or Flange
Material without product contact*	Stainless steel 304 or higher	Stainless steel 304 or higher	Stainless steel 304 or higher	Stainless steel 304 or higher	Stainless steel 304 or higher	Stainless steel 304 or higher	Stainless steel 304 or higher
Movable	Yes	Yes	No	Yes	No	No	No
Diversion chamber	n.a.	n.a.	n.a.	n.a.	n.a.	n.a.	n.a.
Diversion plate	n.a.	n.a.	n.a.	n.a.	n.a.	n.a.	n.a.
Closing mechanism	Electro or pneumatic hydraulic	Electro or pneumatic hydraulic	Electro or pneumatic hydraulic	Electro or pneumatic hydraulic	Electro or pneumatic hydraulic	Electro or pneumatic hydraulic	Electro or pneumatic hydraulic

* except hydraulic components, slide barring, caster, and small parts

Dimensions



Dimensions [mm]	NOVOX® 400 CPP-I	NOVOX® 600 CPP-I	NOVOX® 800 CPP-I	NOVOX® 600 CPP-P	NOVOX® 800 CPP-P	NOVOX® 1000 CPP-P	NOVOX® 1200 CPP-P
A Size 0.5			2905		4842		4977
Size 1	1569	2640	3418	2640	5252	3082	5400
Size 2	2100	3530	3805	3530	5952	4099	6100
Size 3	2753	4060	4553	4060	6672	5299	6820
Size 4			4787		7402	6299	7850
Size 5			5339		8252	7299	8700
B Size 0.5			634		2042		1775
Size 1	636	1397	1247	1397	2452	997	2198
Size 2	1168	2087	1634	2087	3152	2014	2898
Size 3	1680	2617	2382	2617	3872	3214	3618
Size 4			2616		4602	4214	4348
Size 5			3168		5452	5214	5198
C	540	910	1084	910	1116	1612	1610
D	1157	1147	1175	1147	1426	1600	1756