



e-mail:
fs@pecousa.com
web site:
www.pecousa.com

Corporate Offices & Plant

PERRY EQUIPMENT CORPORATION
Wolters Industrial Park
P.O. Box 640
Mineral Wells, Texas 76068
Telephone: 940-325-2575
800-877-PECO
Telefax: 940-325-4622
e-mail: fm@pecous.com

Houston Branch Office

1758 West Sam Houston Parkway N.
Houston, Texas 77043-3115
Telephone: 713-973-2575
Telefax: 713-467-0475
e-mail: [hou@pecousa.com](mailto:houston@pecousa.com)

S.E. Asia Sales Office

PERRY EQUIPMENT CORPORATION
35-4 Jalan SP2/I
Taman Serdang Perdana, Seksyen2,
43300 Seri Kembangan
Selangor D.E., Malaysia
Telephone: 603-8941-2366
Telefax: 603-8941-1366
e-mail: pecosea@po.jaring.my

Italian Branch Office

PERRY EQUIPMENT ITALIANA S.R.L.
via Camozzi, 106
24121 Bergamo (BG)
Italy
Telephone: 3903-523-6340
Telefax: 3903-523-6380
e-mail: peco.italy@tin.it

Canadian Branch Office & Plant

PECO FILTERS LTD.
1351 Hastings Crescent S.E.
Calgary, Alberta
Canada T2G-4C8
Telephone: 403-243-6700
Telefax: 403-287-9304
e-mail: 103727,3572@compuserve.com

European Offices & Plant

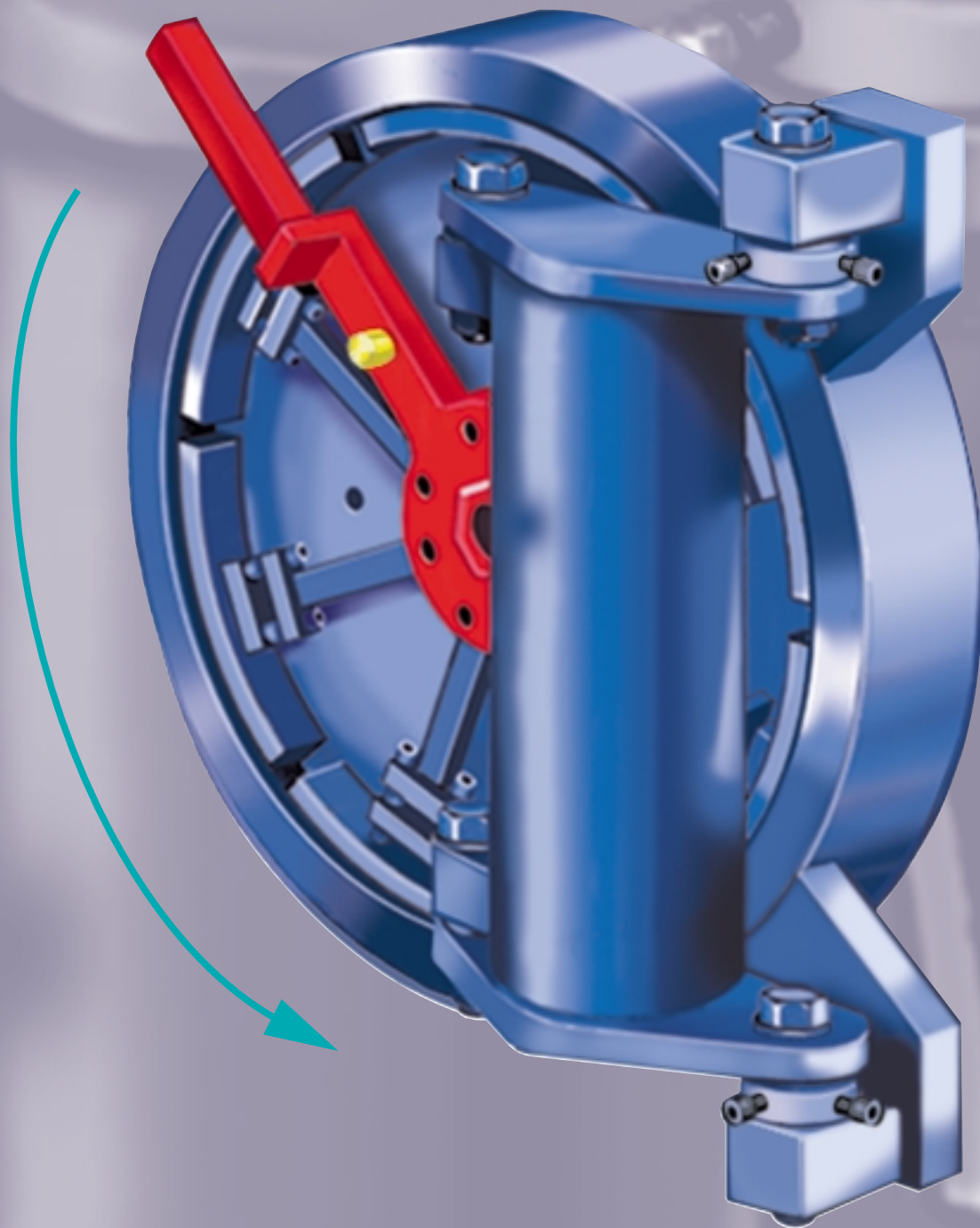
PERRY EQUIPMENT LTD.
Rymer Point
Barnham, Thetford
Norfolk IP24 2PN
England
Telephone: 44-1-842-890-344
Telefax: 44-1-842-890-450
Telex: 81611 PECO G
e-mail: sales@perry-equipment.co.uk
www.perry-equipment.co.uk



ISO 9001

PERRY EQUIPMENT CORPORATION

SAFELOCK™



ENGINEERED FILTRATION TECHNOLOGIES

SAFELOCK™

SAFE OPERATING CLOSURE

Fast. Easy. Economical.

DESIGNED FOR THE OIL AND GAS INDUSTRY

APPLICATIONS

In applications where safety is paramount, or when quick and frequent access to a vessel is required, the PECO **SAFELock™** Closure is the ideal solution.

PECO **SAFELock™** closures provide both a practical and an economical solution for a variety of applications.

- Blowdowns
- Scrapper and Pig Traps
- Access opening on Scrubbers, Filters, Strainers, etc.
- Chemical Reactors
- Pressure Vessels
- Shell and Tube Heat Exchangers
- Autoclave Doors
- Manways in Pressure Vessels
- Meter Provers
- Terminal Manifolds
- Storage Tanks

NO WRENCHES REQUIRED!

LOW MAINTENANCE COST!

OPERATIONS

There is no chance of fast fracture during operation because the main loading member segment ring is in compression.

One person can open or close the **SAFELock™** Closure using the EZYOpen Lever. Once the EZYOpen Lever is in the open and locked position and the PLA is installed through the Lever, the head is easily pulled out and swung aside.

Patent Pending

Opening and Closing Time
Can Save You Money.

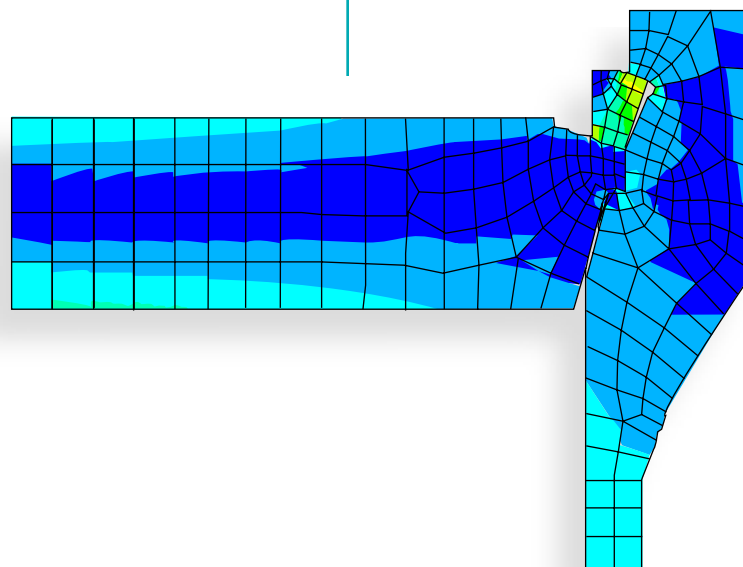
DESIGN FABRICATION FEATURES

The PECO **SAFELOCK™** Closures are designed using sophisticated design tools, i.e ANSYS, to meet the requirements of ASME VIII Div. 1.

The PECO **SAFELOCK™** Closures are fabricated from ASTM A-105-N forgings or 350-LF2 forgings and ASTM A-516-70 plates. For special applications, PECO **SAFELOCK™** closures can be furnished in alloy materials, as well as weld overlayed. The PECO **SAFELOCK™** closures are also available in standard ANSI ratings, or may be custom designed under ASME VIII, Div. 1 or Div. 2 requirements or other applicable construction code authority.

ANSYS Finite Element Method Non-Linear Analysis

All PECO **SAFELOCK™** Closures are computer designed. Closures are analyzed using the latest ANSYS Finite Element Package.



Typical ANSYS results

ACCURALIGN SYSTEM

The PECO **SAFELOCK™** closure features the proprietary Accuralign System to allow easy realignment of the swing arm assembly in the field without having to rely on costly factory field service technicians.

NEW TECHNOLOGY TESTED TO HIGH PRESSURE

The PECO **SAFELOCK™** Closure design has been fully tested under extreme high pressure for its performance.

Perry Equipment Corporation, for more than 64 years a leader in the manufacture of filtration/separation equipment, is proud of its service to the international oil, gas and petrochemical industries. PECO's engineers are meeting the challenge of these ever changing industries by continuing to improve the performance of existing products and developing new products and equipment. A world wide network of sales representative offices provides fast and convenient access to PECO Technology.

For more information on PECO SafeLock Closures, contact your local sales representative or Perry Equipment Corporation.

